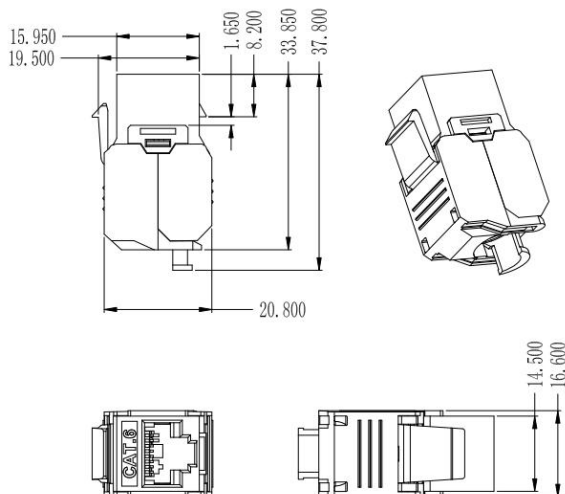


## Cat.6/6A UTP Keystone Jack Tool Free Up-Down Crimping



### Standard:

C6/C6A permanent link: conform to ANSI/TIA/EIA-568 b.2-1.

### Electrical:

- Voltage rating: 125 VAC RMS;
- Current rating: 1.5 AMP;
- Contact resistance: 100 Million HMS max;
- Insulation resistance: 1000 MEGOHMS min. @ 500 VDC;
- Dielectric strength: 750 VAC RMS 60 Hz, 1 min.;
- C6 Permanent Link: Conform to ANSI/TIA/EIA-568 B.2-1.

### Mechanical:

- Housing Material: PC;
- Insert Material: PBT;
- PCB Material: FR-4 T=1.2mm;
- Contact Material: phosphor bronze stamp pin T=0.35mm;
- IDC Contact Material: phosphor bronze T=0.50mm, Tin Plating;
- RJ 45 Jack life: 750 times min.;
- IDC life: 200 times min.;
- Wire: AWG 22-24;
- TIA Cat. 6 Perm. Link Test: Worst pair next margin  $\geq 7.0\text{dB}$ ;
- TIA Cat. 6A perm Link test: worst pair next margin  $\geq 5\text{dB}$ ;
- Retentiveness of insertion structure: 50N 60 $\pm$ 5 s.

### Environment of Adaptations:

- Storage: -40° ~ 70°
- Operation: -10° ~ 60°